

POLEALT 80



Outdoor IP65 bollard luminaire. Top quality SMD LED module with colour consistency MacAdams 3, extensive portfolio of lumen ranges and CCTs. Standard EVG on/off or DALI driver on request. Body is made of aluminium. Standard colour RAL 7016 any other on request. Variety of diffusers, lumen outputs and drivers allows to use this luminaire in different types of lighting projects: parks, residential areas, office building surroundings, pedestrian routes, bicycle paths. Mounting holes are prepared for standard concrete footings available in the market, please contact our sales team for details. Custom made foots available on request. Standard luminaire is not intended for use in increased corrosivity category environment, e.g. with increased salt concentration. Extra corrosion protection is available on request. Luminous flux & Luminaire Power tolerance up to 10%. System power consumption depends on components used. Luminous efficacy depends on type of LED's, electronics, optics and diffuser. The most up to date technical parameters can be found on our website and in database of LDT files.

Lighting direction



PDF datasheet:

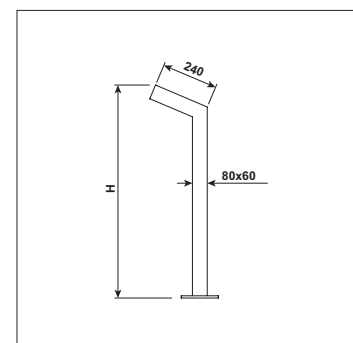


POLEALT 80

Mounting:	Ground mounting
Body material:	Aluminium
Colour:	Standard anthracite grey RAL 7016, other RAL colours on request
Lumen output:	Standard up to 1300 lm, any other on request
LED module:	Signify (Philips), Tridonic or equivalent SMD LED module
Colour temperature:	3000/4000K, other on request
Colour Rendering:	CRI>80 in standard, other on request
Driver:	EVG on-off, DALI, other on request
Wireless control:	On request
Daylight/Occupancy sensor:	On request
Emergency unit:	N/A
Operating temperature range:	-25°C ... +45°C
IP Class:	IP65 in standard
Power:	220-240V 50/60Hz
Lighting direction:	Direct lighting
Light distribution:	Symmetric
Optics:	N/A
Beam angle:	Please refer to our LDT database
Diffuser:	PMMA acrylic
Warranty:	5 Years standard warranty

POLEALT 80 ground mounted luminaire

All current index numbers, lumen outputs, power consumption and many other technical information are available in our 2024 pricelist.



Basic dimensions